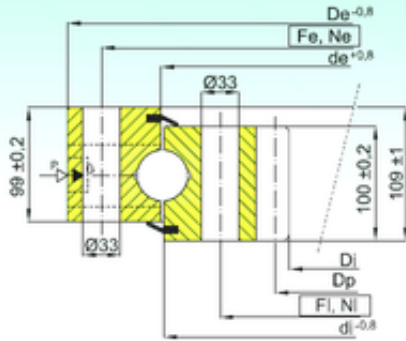




ISB ZB1.50.2240.400-1SPPN thrust ball bearings

Bearing No. ZB1.50.2240.400-1SPPN



ZB1.50.2240.400-1SPPN Bearing 2D drawings and 3D CAD models

Size	1984x2411x109 mm
Bore Diameter	1984 mm
Outer Diameter	2411 mm
Width	109 mm
d	1984 mm
D	2411 mm
H	109 mm
de	2238 mm
Z	125 mm
m	16 mm
di	2242 mm
Di	1984 mm
Dp	2000 mm
De	2411 mm
Fe	2345 mm
Ne	48 mm
Fi	2135 mm
Ni	48 mm