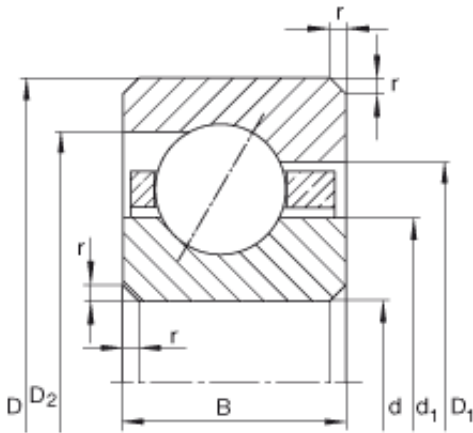




## PCD?ITALIA ?Limited

6 inch x 165,1 mm x 6,35 mm INA CSEA060  
deep groove ball bearings

Bearing No. CSEA060



CSEA060 Bearing 2D drawings and 3D CAD models

Size	152.4x165.1x6.35 mm
Bore Diameter	152,4 mm
Outer Diameter	165,1 mm
Width	6,35 mm
d	152,4 mm
d	6 inch
D	165,1 mm
B	6,35 mm
D <sub>1</sub>	160,4 mm
D <sub>2</sub>	161,7 mm
d <sub>1</sub>	157,1 mm
r <sub>min</sub>	0,6 mm
m	0,13 kg / Weight
C <sub>r</sub>	4800 N / Dynamic load rating (radial)
C <sub>0r</sub>	8900 N / Static load rating (radial)