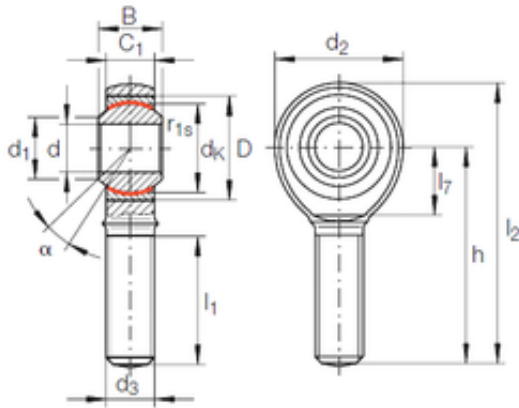




## PCD ITALIA Limited

### 30 mm x 55 mm x 37 mm INA GAKFL 30 PW plain bearings



Bearing No. GAKFL 30 PW

|                               |             |
|-------------------------------|-------------|
| Size                          | 30x55x37 mm |
| Bore Diameter                 | 30 mm       |
| Outer Diameter                | 55 mm       |
| Width                         | 37 mm       |
| d                             | 30 mm       |
| D                             | 55 mm       |
| B                             | 37 mm       |
| d1                            | 34,8 mm     |
| d2                            | 70 mm       |
| dk                            | 50,8 mm     |
| h                             | 110 mm      |
| l1 min.                       | 66 mm       |
| l2 max.                       | 145 mm      |
| l7 min.                       | 37 mm       |
| r1 min.                       | 0,3 mm      |
| C1                            | 25 mm       |
| Thread (G)                    | M30X2       |
| Angle                         | 17 °        |
| Weight                        | 1,1 Kg      |
| Basic dynamic load rating (C) | 114 kN      |

GAKFL 30 PW Bearing 2D drawings and 3D CAD models