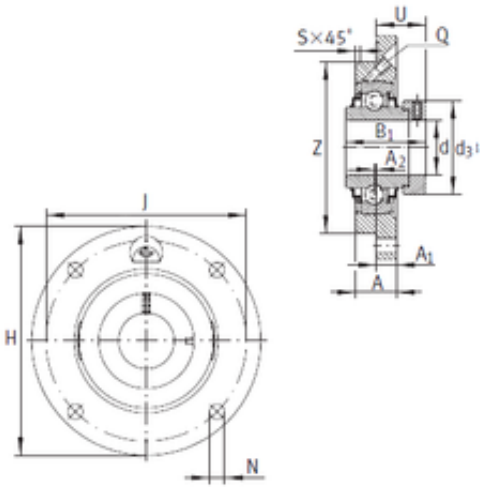




INA RMEO35 bearing units

Bearing No. RMEO35



RMEO35 Bearing 2D drawings and 3D CAD models

Bore Diameter	35 mm
d	35 mm
U	25,4 mm
Thread (Q)	M6
Z	100 mm
d3	55 mm
A	25 mm
A1	16 mm
B1	51,6 mm
H	174 mm
J	141 mm
N	19 mm
S	2 mm
A2	2 mm
Weight	2,4 Kg
Basic dynamic load rating (C)	36,5 kN
Category	Flange Block Bearings
Inventory	0.0
Manufacturer Name	SCHAEFFLER GROUP
Minimum Buy Quantity	N/A
Weight / Kilogram	2.874
Product Group	M06110
Number of Mounting Holes	4
Mounting Method	Eccentric Collar
Housing Style	4 Bolt Round Flange Cartridge



PCD?ITALIA ?Limited

Rolling Element	Ball Bearing
Housing Material	Cast Iron
Expansion / Non-expansion	Non-expansion
Mounting Bolts	19 Millimeter
Relubricatable	Yes
Insert Part Number	GNE35KRRB
Seals	Double Land Riding Rubber Contact
Housing Configuration	1 Piece Solid
Pilot Configuration	With Pilot
Inch - Metric	Metric
Long Description	4 Bolt Round Flange Cartridge; 35MM Bore; 143.5MM Bolt Circle; 99MM Bolt Spacing; 1 Piece Solid; Eccentric Collar Mount; Cast Iron; Ball Bearing; 51.6MM Length Thru Bore; Relubricatable; Double Land R
Other Features	Single Row Centering Spigot With Set Screw
Category	Flange Block
UNSPSC	31171501
Harmonized Tariff Code	8483.20.40.40
Noun	Bearing
Keyword String	Flanged
Manufacturer URL	http://www.ina.com
Manufacturer Item Number	RME035
Weight / LBS	5.29
Cartridge Pilot Diameter	3.937 Inch 100 Millimeter
Cartridge Pilot Depth	0.276 Inch 7 Millimeter
Bore	1.378 Inch 35 Millimeter
Nominal Bolt Circle Diameter Round	5.6 Inch 143.5 Millimeter
Length Thru Bore	2.031 Inch 51.6 Millimeter



PCD?ITALIA ?Limited

Bolt Spacing	3.9 Inch 99 Millimeter
--------------	--------------------------