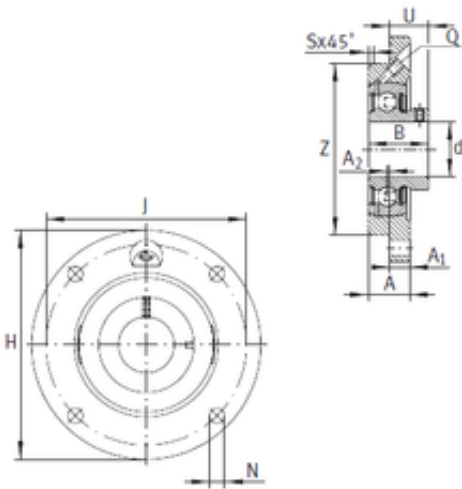




INA PMEY35-N bearing units

Bearing No. PMEY35-N



PMEY35-N Bearing 2D drawings and 3D CAD models

Bore Diameter	35 mm
d	35 mm
U	24,45 mm
Thread (Q)	M6
Z	90 mm
A	20,5 mm
A1	10 mm
B	34,95 mm
H	135 mm
J	110 mm
N	11,5 mm
S	2 mm
A2	1 mm
Weight	1,15 Kg
Basic dynamic load rating (C)	25,5 kN